

Legend

**1** Listed appliances under CAN/CSA-B365 "Installation Code for Solid Fuel-Burning Appliances and Equipment"

**2** Floor protector on combustible floor or floor covering may be a laboratory listed type protector or may consist of a layer of 0.38 mm (15 mil) thick sheet of metal or a grouted ceramic floor tile surface installed in accordance with the Building Code extending at least 450 mm (18") beyond any side having a door, and 200 mm (8") beyond the appliance on the other sides

**3,4,5** These clearances are set by the manufacturer and certified by the testing laboratory

**6,7** Clearance between flue pipe and combustibles is 450 mm (18") minimum

**1** Existing/non-listed appliances under CAN/CSA-B365 "Installation Code for Solid Fuel-Burning Appliances and Equipment"

**2** Floor protector on combustible floor or floor covering may be a laboratory listed type protector or may consist of a layer of 0.38 mm (15 mil) thick sheet of metal or a grouted ceramic floor tile surface installed in accordance with the Code extending at least 450 mm (18") beyond any side having a door, and 200 mm (8") beyond the appliance on the other sides

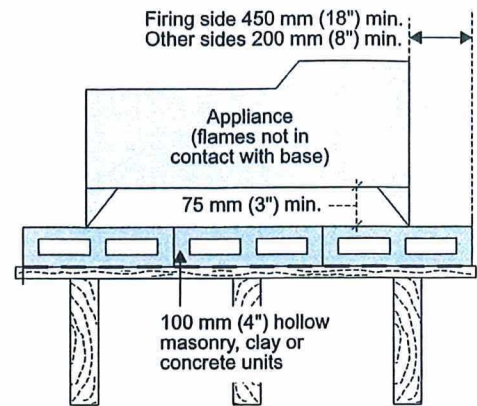
**3,4** Minimum clearance at sides and rear is 1200 mm (48") for non-shielded appliances. Shielded appliances require 900 mm (36") at rear and 1200 mm (48") at sides

**5** Top clearance is 1500 mm (60") for all types of appliances using solid fuel in accordance with CAN/CSA-B365

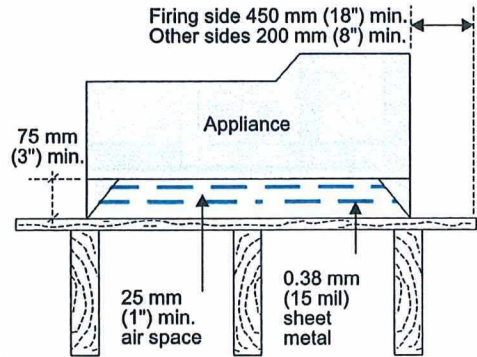
**6,7** Minimum clearance from flue pipe to combustibles is 450 mm (18") except where such combustibles are suitably protected

**8** 1200 mm (48") front or fueling side clearance

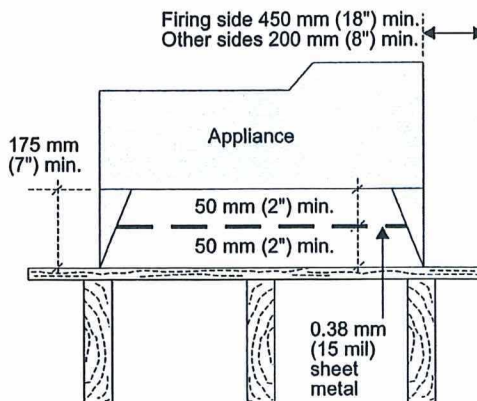
**Option 1: Hollow Masonry Units**



**Option 2: Directly on Floor with Two Metal Plates**



**Option 3: Directly on Floor with Greater Clearance**



**Note:**

In the case where a difference exists between the manufacturer's installation instructions and the requirements of the Standard, the installation instructions shall govern.

**Figure 11.2**  
Solid Fuel-Burning Appliance Requirements Derived from CAN/CSA-B365

(9.33.1.2.)

