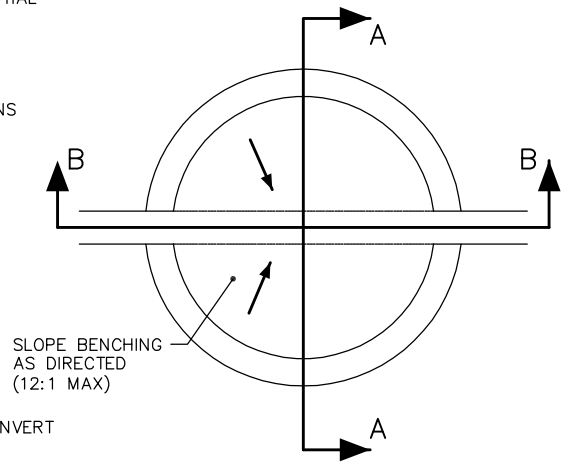
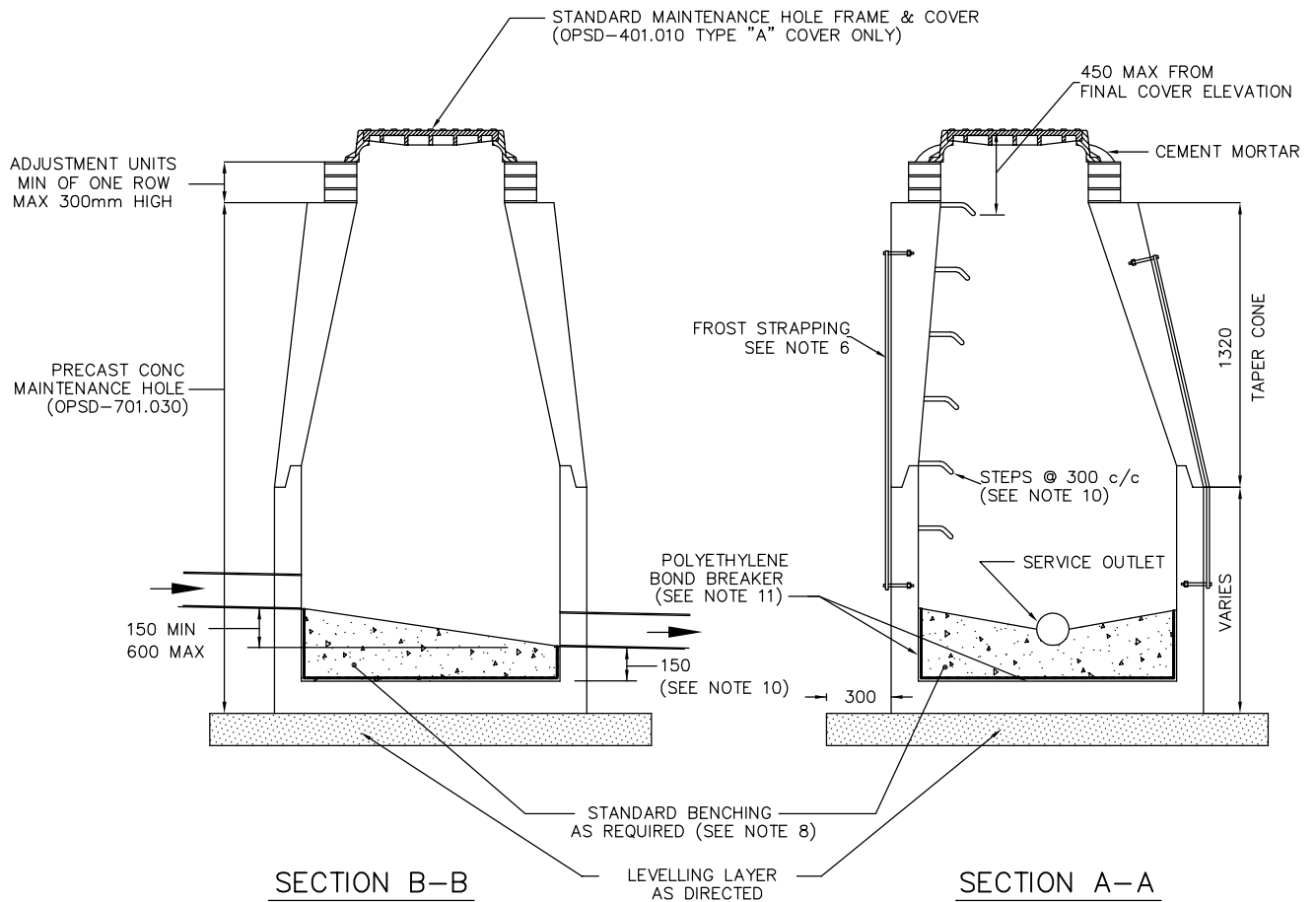


NOTES:

1. THIS MAINTENANCE HOLE IS TO BE CONSTRUCTED ON ALL NON-RESIDENTIAL SERVICE CONNECTIONS.
2. ALTERNATES ARE NOT TO BE USED WITHOUT PRIOR APPROVAL FROM THE SEWER AND WATER ENGINEER.
3. MAINTENANCE HOLE INSTALLATION TO CONFORM WITH THE SPECIFICATIONS OUTLINED IN OPSS 407 AND GSSS 407.
4. FORM FOR THE INVERT SHALL BE MADE OF PVC.
5. FOR ELEVATION CHANGES, BETWEEN INLET & OUTLET, IN EXCESS OF 600 mm REFER TO OPSD-1003.010.
6. FOR STRAPPING DETAILS REFER TO OPSD-701.100.
7. ALL DIMENSIONS ARE GIVEN IN MILLIMETRES UNLESS OTHERWISE INDICATED.
8. CLASS OF CONCRETE: 20 MPa AT 28 DAYS.
9. MAINTENANCE HOLE STEPS CIRCULAR ALUMINUM AS PER OPSD-405.010.
10. MAINTENANCE HOLE BASE TO BE A MINIMUM OF 150 mm BELOW THE INVERT OF THE OUTLET PIPE.
11. 150 mm SUMP TO BE BENCHED WITH A POLYETHYLENE BOND BREAKER MATERIAL BETWEEN THE MAINTENANCE HOLE BASE AND THE BENCHING.
12. ADJUSTMENT UNITS TO BE SET IN 12 mm MORTAR MIX.



PLAN



SECTION B-B

SECTION A-A



**PRECAST TEST
MAINTENANCE HOLE
SANITARY SEWER SERVICE
CONNECTION**

DRAWN BY: STS/RF	REV No: 1
DATE: 2003-03-03	REV DATE: 2012-02-01
SCALE: NTS	CAD/FILE No.: A1953-1 (1 OF 1)
APP'D:	GSSD-1001.030

DISCLAIMER OF WARRANTY : The data is provided "as-is", without warranty of any kind either expressed or implied. Any and all liabilities for damage, direct or indirect, however caused, and resulting in any way by use of the supplied data is the full and final responsibility of the user.

COPYRIGHT : All rights are reserved. No part of the supplied data may be reproduced, or transmitted to others, in any form or by any means, without the prior written permission of the CITY OF GREATER SUDBURY.