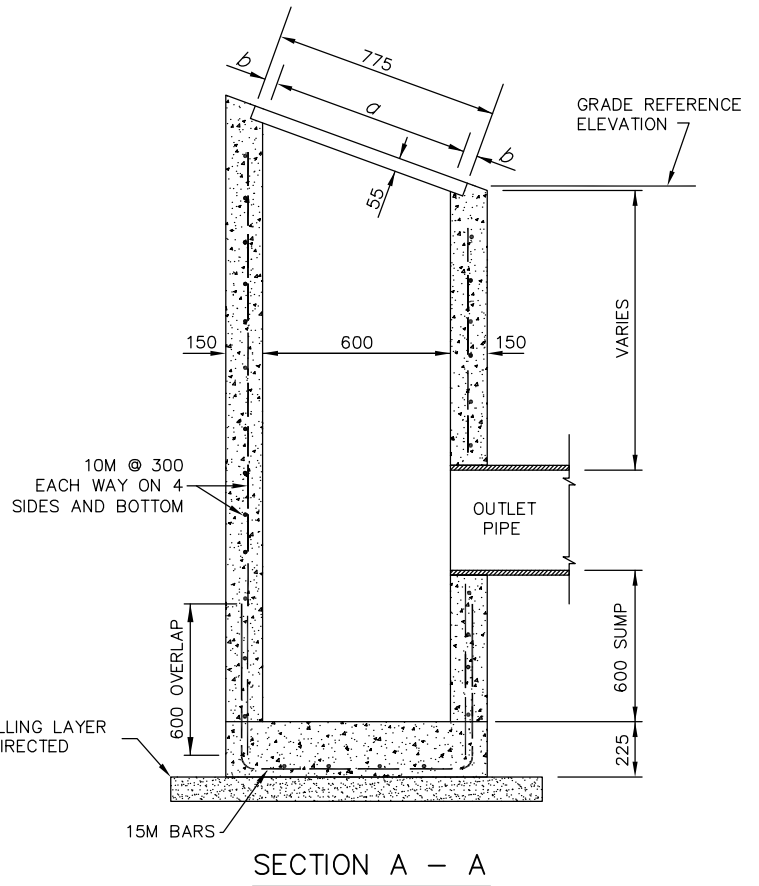
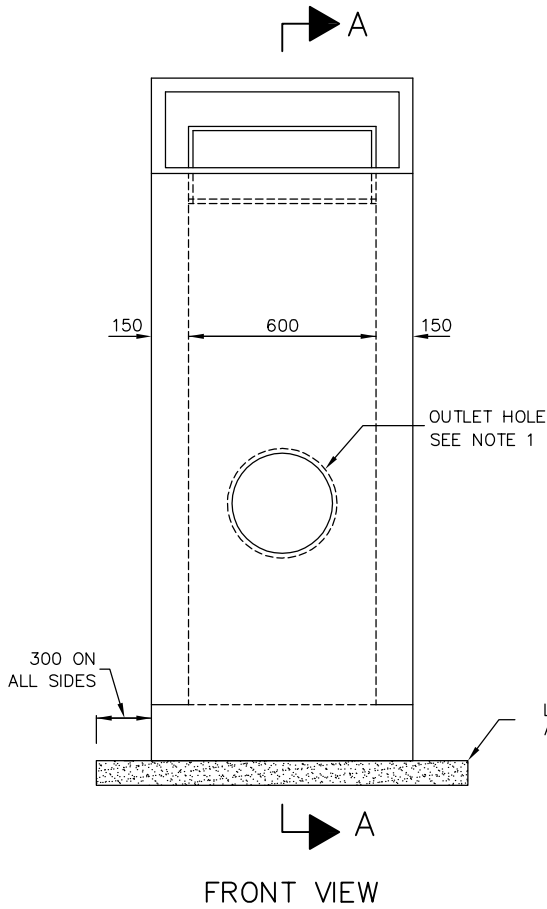


OPENING DIMENSIONS IN MILLIMETRES			
GRATE		a	b
TYPE	SLOPE		
A	2:1	670	52
	3:1	632	72
	4:1	618	79
	6:1	608	83
	8:1	605	85
	10:1	603	86
	HOR.	600	87



NOTES:

1. OUTLET HOLE SIZE 525 mm MAXIMUM DIAMETER, LOCATION AS REQUIRED.
2. WHERE THE INLET IS PLACED ACROSS DITCH AND IS ACCESSIBLE TO VEHICULAR TRAFFIC, GRATING SLOPE IS TO BE 6:1 OR BETTER.
3. MINIMUM COVER TO REINFORCEMENT TO BE 50 mm.
4. GRATING AND FASTENER DETAILS AS PER OPSD-403.010.
5. CLASS OF CONCRETE: 32 MPa @ 28 DAYS.
6. ALL DIMENSIONS ARE IN MILLIMETERS UNLESS OTHERWISE SHOWN.



**CAST-IN-PLACE
DITCH INLET CATCHBASIN**
600 mm x 600 mm
DEPTH 4.0 m MAX.

DRAWN BY: RF/STS	REV No: 2
DATE: 2003-03-03	REV DATE: JAN/2013
SCALE: NTS	CAD/FILE No.: A1941-1 (1 OF 1)
APP'D:	GSSD-705.035

DISCLAIMER OF WARRANTY : The data is provided "as-is", without warranty of any kind either expressed or implied. Any and all liabilities for damage, direct or indirect, however caused, and resulting in any way by use of the supplied data is the full and final responsibility of the user.

COPYRIGHT : All rights are reserved. No part of the supplied data may be reproduced, or transmitted to others, in any form or by any means, without the prior written permission of the CITY OF GREATER SUDBURY.