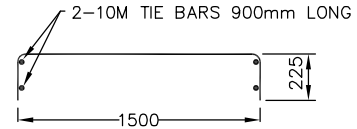
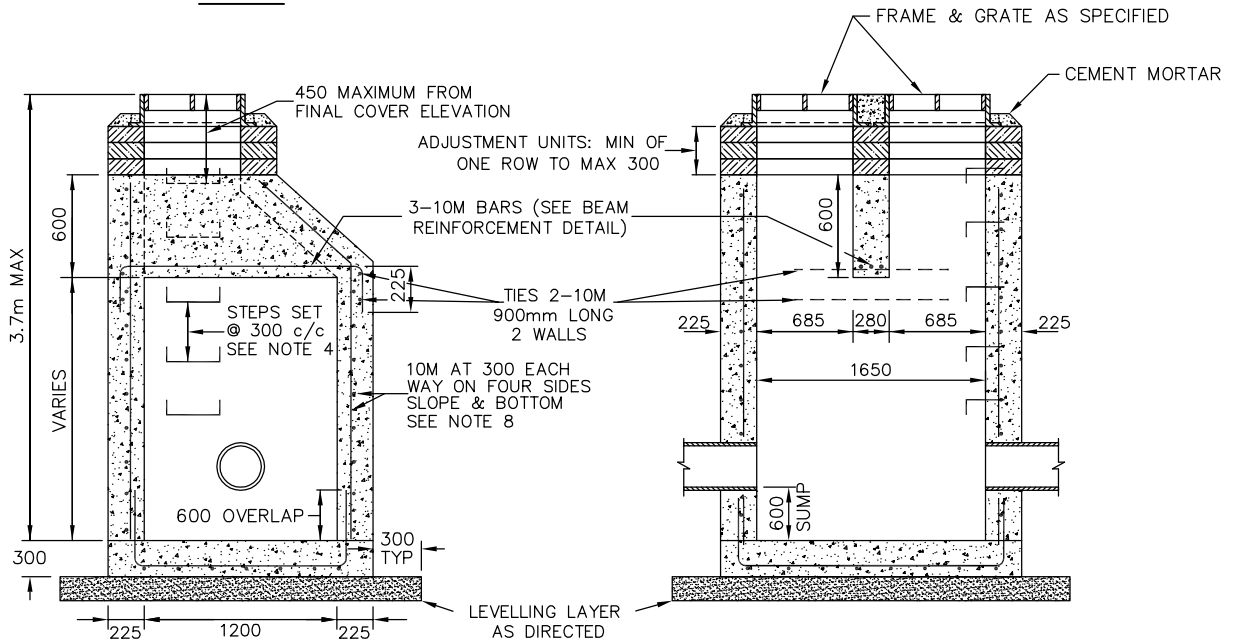


PLAN



BEAM REINFORCEMENT DETAIL



SECTION A - A

SECTION B - B

NOTES:

1. CLASS OF CONCRETE: 32 MPa AT 28 DAYS.
2. MINIMUM COVER TO REINFORCEMENT IS TO BE 50 mm.
3. ADJUSTMENT UNITS TO BE PARGED ON THE OUTSIDE WITH 1:3 NON-SHRINK MORTAR MIX, APPLIED 15 mm THICK.
4. MAINTENANCE HOLE STEPS CIRCULAR HOLLOW ALUMINUM AS PER OPSD-405.010.
5. WHEN THE STRUCTURE IS TO ACT AS A MAINTENANCE HOLE CATCHBASIN THE CONCRETE GUTTER SHALL END 900 mm ON EITHER SIDE OF THE MAINTENANCE HOLE CATCHBASIN WITH AN ASPHALT GUTTER BEING CONSTRUCTED FROM END OF CONCRETE GUTTER TO MAINTENANCE HOLE CATCHBASIN FRAME, AS PER GSSD-610.010.
6. WHEN CURB INLET CATCHBASIN FRAME AND GRATE IS SPECIFIED, THE INSIDE BACK WALL OF THE CATCHBASIN SHALL BE LOCATED DIRECTLY BELOW THE BACK OF CURB.
7. CONCRETE BENCHING:
 - SLOPE 1:12
 - CLASS OF CONCRETE 20 MPa @ 28 DAYS
8. TWO SEPARATE VERTICAL BARS HAVING A MINIMUM 600 mm OVERLAP MAY BE USED IN LIEU OF THE ONE CONTINUOUS BENT VERTICAL BAR WHEN DIRECTED.
9. ADJUSTMENT UNITS TO BE SET IN 12 mm MORTAR MIX.
10. ALL DIMENSIONS ARE IN MILLIMETERS UNLESS OTHERWISE SHOWN.



**CAST-IN-PLACE
TWIN INLET
MAINTENANCE HOLE CATCHBASIN**
1200 mm x 1650 mm
DEPTH 3.7 m MAX.

DRAWN BY: RF/STS	REV No: 2
DATE: 2003-03-03	REV DATE: JAN/2013
SCALE: NTS	CAD/FILE No.: A1940-1 (1 OF 1)
APP'D:	GSSD-705.025

DISCLAIMER OF WARRANTY : The data is provided "as-is", without warranty of any kind either expressed or implied. Any and all liabilities for damage, direct or indirect, however caused, and resulting in any way by use of the supplied data is the full and final responsibility of the user.

COPYRIGHT : All rights are reserved. No part of the supplied data may be reproduced, or transmitted to others, in any form or by any means, without the prior written permission of the CITY OF GREATER SUDBURY.