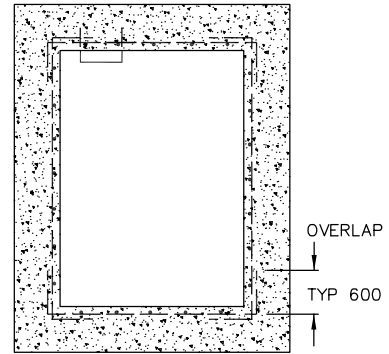
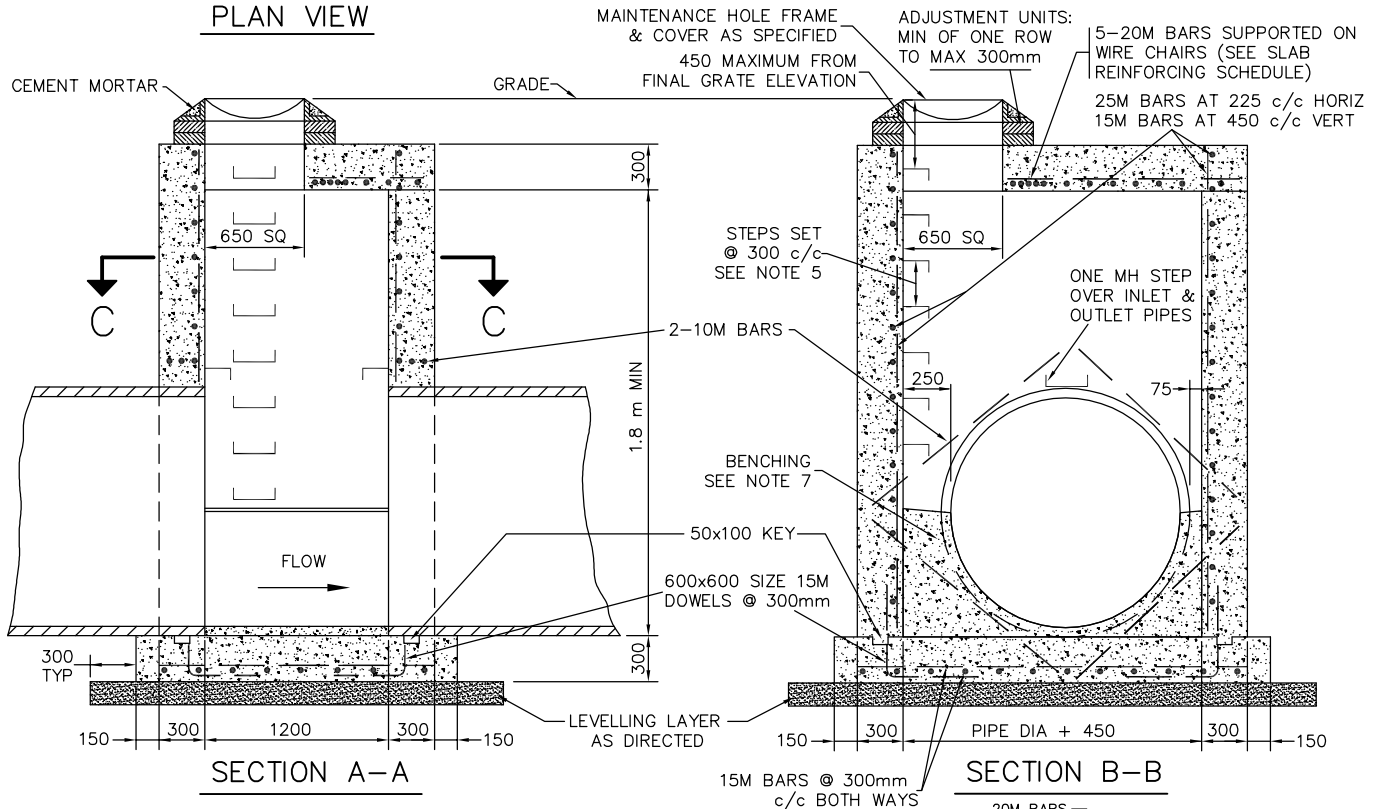


PLAN VIEW

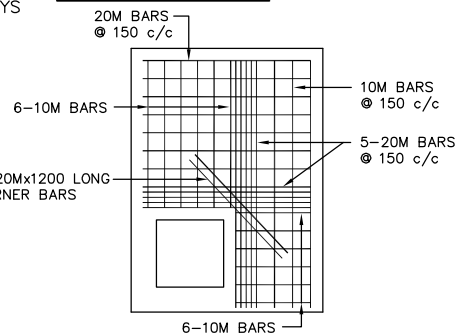


SECTION C-C



SECTION A-A

SECTION B-B



SLAB REINFORCING SCHEDULE

NOTES:

1. CLASS OF CONCRETE: 32 MPa AT 28 DAYS.
2. MINIMUM COVER TO REINFORCEMENT TO BE 50 mm.
3. ADJUSTMENT UNITS TO BE PARGED ON THE OUTSIDE WITH 1:3 NON-SHRINK MORTAR MIX, APPLIED 15 mm THICK.
4. STRUCTURES EXCEEDING 5m IN DEPTH TO INCLUDE SAFETY GRATE AS PER OPSD-404.020.
5. MAINTENANCE HOLE STEPS CIRCULAR HOLLOW ALUMINUM AS PER OPSD-405.010.
6. ALL DIMENSIONS ARE IN MILLIMETRES UNLESS OTHERWISE SHOWN.
7. CONCRETE BENCHING: SLOPE 1:12 CLASS OF CONCRETE 20 MPa AT 28 DAYS.
8. 600 mm DEEP SUMP TO BE CONSTRUCTED ON MCHB.
9. ADJUSTMENT UNITS TO BE SET IN 12 mm MORTAR MIX.



CAST-IN-PLACE
MAINTENANCE HOLE OR
MAINTENANCE HOLE CATCHBASIN
FOR 1350 mm AND LARGER PIPES

| | |
|----------------------|-----------------------------------|
| DRAWN BY: STS/RF/SGI | REV No: 3 |
| DATE: 2003-03-03 | REV DATE: JAN/2013 |
| SCALE: NTS | CAD/FILE No.: A2016-1 (1 OF 1) |
| APP'D: | GSSD-700.041 |

DISCLAIMER OF WARRANTY : The data is provided "as-is", without warranty of any kind either expressed or implied. Any and all liabilities for damage, direct or indirect, however caused, and resulting in any way by use of the supplied data is the full and final responsibility of the user.

COPYRIGHT : All rights are reserved. No part of the supplied data may be reproduced, or transmitted to others, in any form or by any means, without the prior written permission of the CITY OF GREATER SUDBURY.