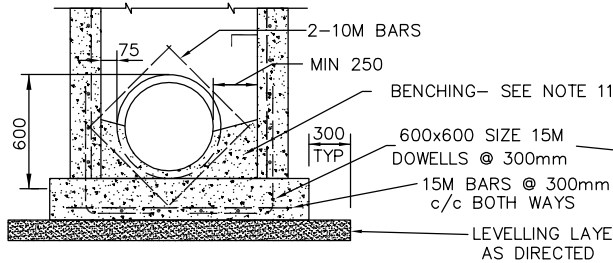
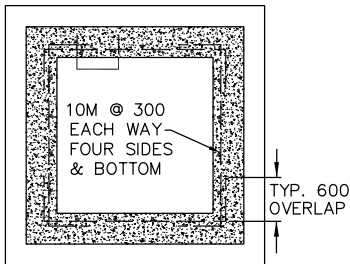


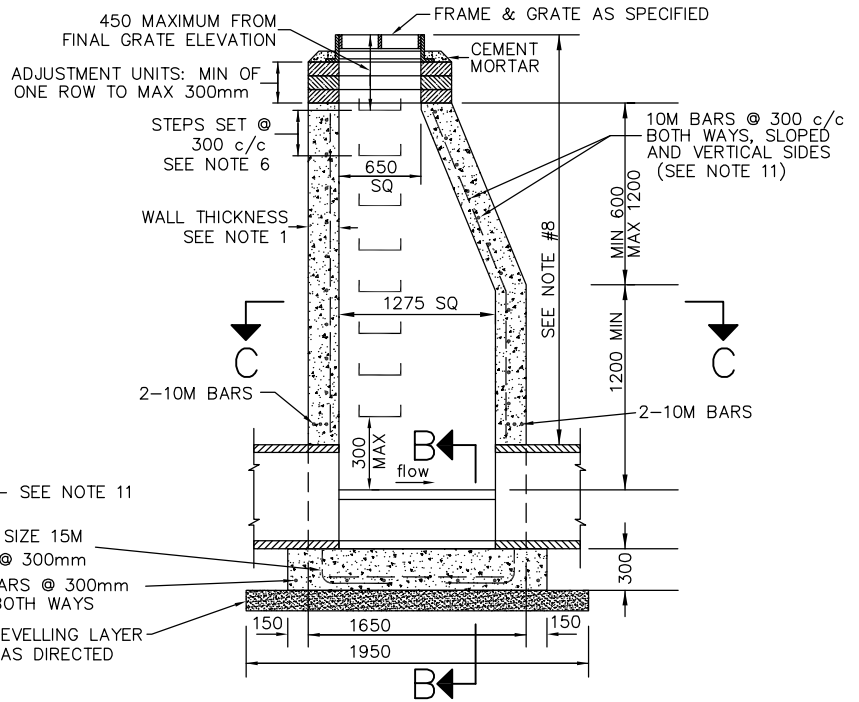
PLAN VIEW



SECTION B - B
WITH BENCHING



SECTION C - C



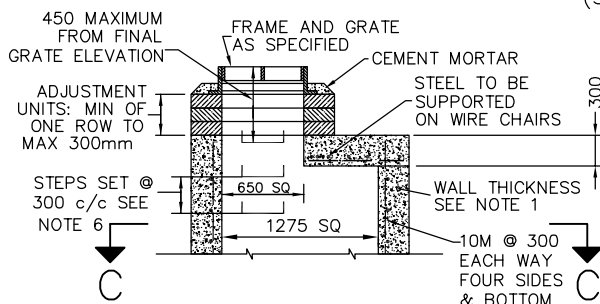
SECTION A - A

NOTES:

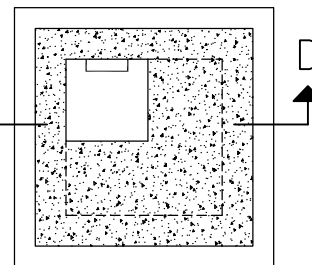
1. WALL THICKNESS: 230 mm TO 4 m DEPTH, 300 mm FOR 4 m TO 9 m DEPTH, SPECIAL DESIGN FOR DEPTH GREATER THAN 9 m.
2. CLASS OF CONCRETE: 32 MPa AT 28 DAYS.
3. MINIMUM COVER TO REINFORCEMENT TO BE 50 mm.
4. ADJUSTMENT UNITS TO BE PARGED ON THE OUTSIDE WITH 1:3 NON-SHRINK MORTAR MIX, APPLIED 15 mm THICK.
5. STRUCTURES EXCEEDING 5 m IN DEPTH TO INCLUDE SAFETY GRATE AS PER OPSD-404.020.
6. MAINTENANCE HOLE STEPS CIRCULAR HOLLOW ALUMINUM AS PER OPSD-405.010
7. ALTERNATIVE FLAT TOP SHALL BE USED WHEN DISTANCE FROM TOP OF PIPE TO FINISHED GRADE IS LESS THAN 2000 mm.
8. 600 mm DEEP SUMP TO BE CONSTRUCTED ON CB'S AND MHCBS.
9. ALL DIMENSIONS ARE IN MILLIMETRES UNLESS OTHERWISE SHOWN.
10. CONCRETE BENCHING: SLOPE 1:12 CLASS OF CONCRETE 20 MPa AT 28 DAYS.
11. TWO SEPARATE VERTICAL BARS HAVING A MINIMUM 600mm OVERLAP MAY BE USED IN LIEU OF THE ONE CONTINUOUS BENT VERTICAL BAR WHEN DIRECTED.
12. WHEN CURB INLET CB FRAME & GRATE IS SPECIFIED, THE INSIDE BACK WALL OF MHCBS SHALL BE LOCATED DIRECTLY BELOW THE BACK OF CURB.
13. FOR LARGER DIAMETER PIPE SEE GSSD-700.040
14. ADJUSTMENT UNITS TO BE SET IN 12 mm MORTAR MIX.

ALTERNATIVE - FLAT TOP

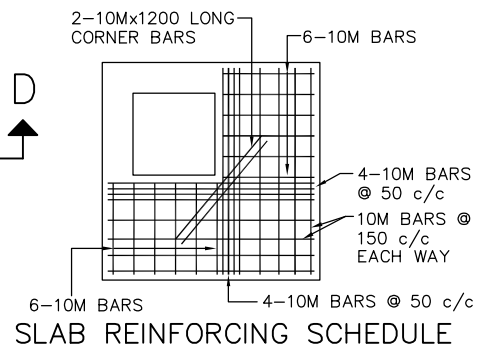
(SEE NOTE #8)



SECTION D - D



PLAN VIEW



SLAB REINFORCING SCHEDULE



**CAST-IN-PLACE
MAINTENANCE HOLE OR
MAINTENANCE HOLE CATCHBASIN**
MAX PIPE SIZE 825 mm
1275 mm x 1275 mm
DEPTH 9.0 m MAXIMUM

DRAWN BY: STS/RF/SGI	REV No: 3
DATE: 2003-03-03	REV DATE: JAN/2013
SCALE: NTS	CAD/FILE No.: A1934-1 (1 OF 1)
APP'D:	GSSD-700.030

DISCLAIMER OF WARRANTY : The data is provided "as-is", without warranty of any kind either expressed or implied. Any and all liabilities for damage, direct or indirect, however caused, and resulting in any way by use of the supplied data is the full and final responsibility of the user.

COPYRIGHT : All rights are reserved. No part of the supplied data may be reproduced, or transmitted to others, in any form or by any means, without the prior written permission of the CITY OF GREATER SUDBURY.