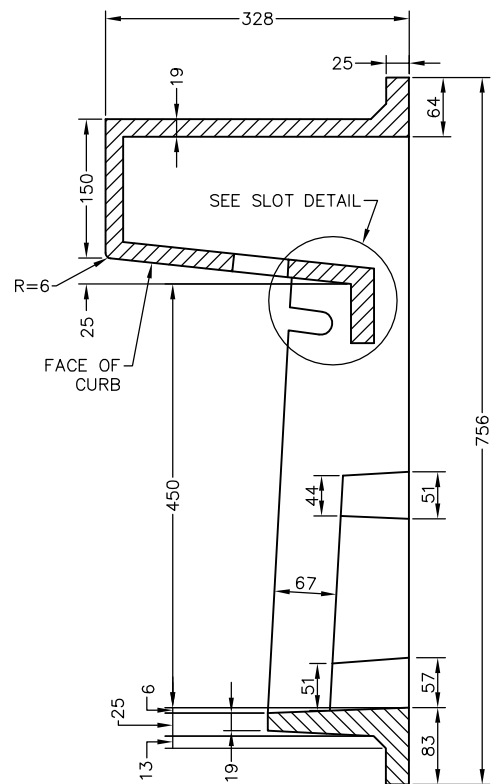
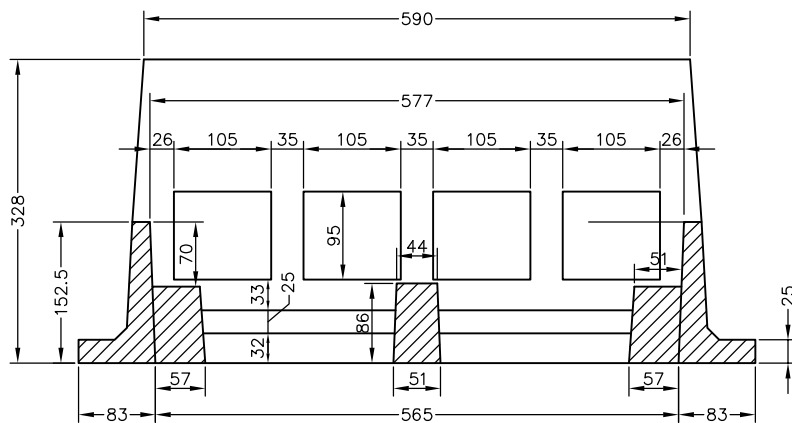


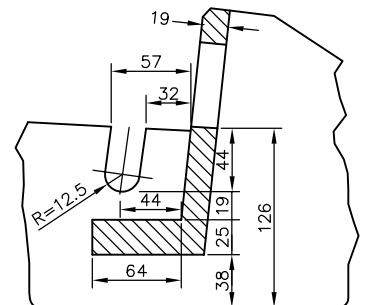
FRAME PLAN



SECTION A-A



SECTION B-B



SLOT DETAIL

NOTES:

1. FRAME AND GRATE, BICYCLE PROOF, AS FABRICATED BY H. IMBLEAU AND SON LTD.-RENFREW ONT.
2. ALL DIMENSIONS ARE IN MILLIMETRES UNLESS OTHERWISE SHOWN.



CATCH BASIN,  
CAST IRON SIDE INLET FRAME

DRAWN BY: STS/RFRANK	REV No:
DATE: 2003-03-03	REV DATE:
SCALE: NTS	CAD/FILE No.: A2022-1 (1 OF 1)
APP'D:	<b>GSSD-400.080</b>

DISCLAIMER OF WARRANTY : The data is provided "as-is", without warranty of any kind either expressed or implied. Any and all liabilities for damage, direct or indirect, however caused, and resulting in any way by use of the supplied data is the full and final responsibility of the user.

COPYRIGHT : All rights are reserved. No part of the supplied data may be reproduced, or transmitted to others, in any form or by any means, without the prior written permission of the CITY OF GREATER SUDBURY.