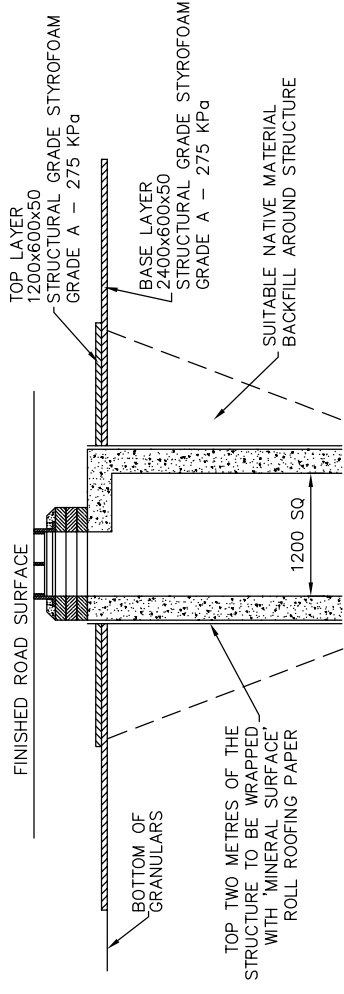


TOP VIEW
COVER REMOVED



TYPICAL SECTION

STYROFOAM FROST PROTECTION

UNDER ROADS & SHOULDERS ONLY

NOTES

1. STYROFOAM TO BE INSTALLED ONLY AT LOCATIONS INDICATED IN THE CONTRACT DOCUMENTS OR WHEN DIRECTED BY THE ENGINEER.
2. ALL DIMENSIONS ARE IN MILLIMETRES UNLESS OTHERWISE SPECIFIED.

DISCLAIMER OF WARRANTY
The data is provided "as-is", without warranty of any kind either expressed or implied. Any and all liabilities for damage, direct or indirect, however caused, and resulting in any way by use of the supplied data is the full and final responsibility of the user.

COPYRIGHT
All rights are reserved. No part of the supplied data may be reproduced, or transmitted to others, in any form or by any means, without the written permission of the CITY OF GREATER SUDBURY.



**FROST PROTECTION FOR
UNDERGROUND SQUARE
STRUCTURES**

DRAWN BY: STS/RFRANK	REV No:
DATE: 2003-03-03	REV DATE:
SCALE: NTS	CAD/FILE No: A2018-1 (1 OF 1)
APP'D:	GSSD-1229.020