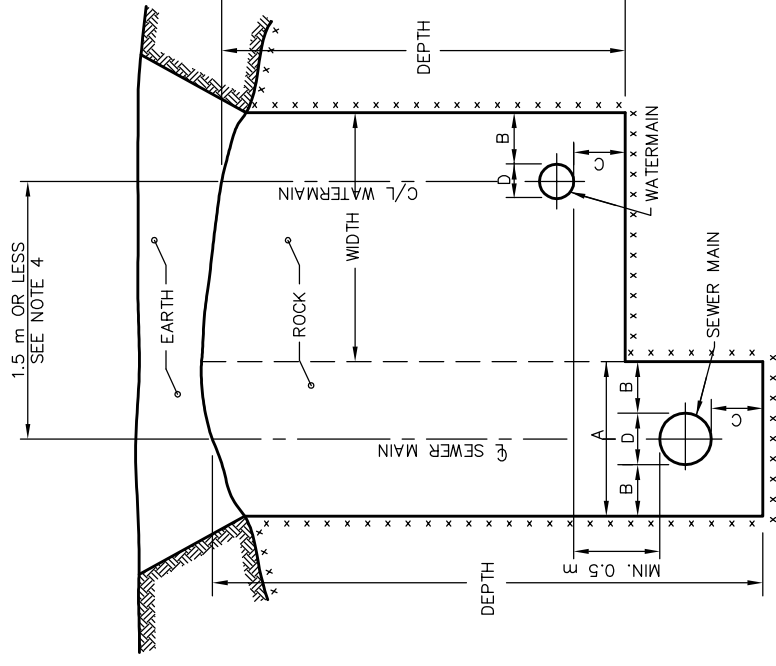
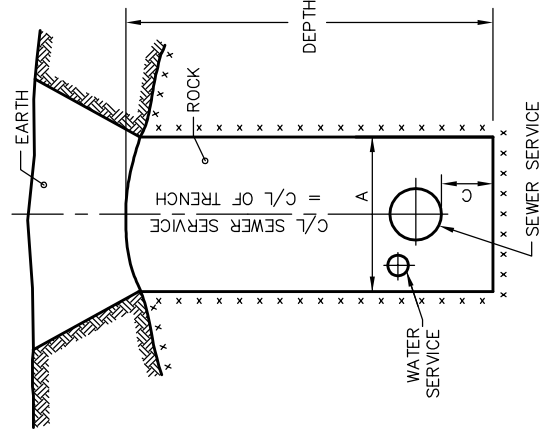


PAYMENT OF ROCK EXCAVATION, SEWER, WATERMAIN AND LATERAL SERVICES IN SEPARATE TRENCHES



PAYMENT OF ROCK EXCAVATION, SEWER AND WATERMAIN IN A COMMON TRENCH



PAYMENT OF ROCK EXCAVATION, SEWER AND WATER SERVICES IN A COMMON TRENCH

NOTES:

1. D (O.D. OF PIPE) MEASUREMENT IS NOT TO INCLUDE PIPE BELL;
2. THIS STANDARD TO BE READ IN CONJUNCTION WITH APPLICABLE SPECIFICATIONS, PLUS GSSD-1227.010.
3. ALL TRENCHING SHALL BE DONE IN ACCORDANCE WITH THE OCCUPATIONAL HEALTH AND SAFETY ACT.
4. ALL MAINS WITH A HORIZONTAL SEPARATION (CENTRE TO CENTRE) OF 1.5 METRE OR LESS, SHALL BE CONSIDERED TO BE IN A COMMON TRENCH. WHILE MAINS WITH A HORIZONTAL SEPARATION GREATER THAN 1.5 METRES, SHALL BE CONSIDERED TO BE IN SEPARATE TRENCHES.
5. ALL DIMENSIONS ARE IN MILLIMETRES UNLESS OTHERWISE SPECIFIED.

DIMENSIONS

SYMBOL	ROCK TRENCH	
	MAINS	SERVICES
A	D+600	600
B	300	--
C	300	150
D	O.D. OF PIPE	O.D. OF PIPE

DISCLAIMER OF WARRANTY
 The data is provided "as-is", without warranty of any kind either expressed or implied. Any and all liabilities for damage, direct or indirect, however caused, and resulting in any way by use of the supplied data is the full and final responsibility of the user.

COPYRIGHT
 All rights are reserved. No part of the supplied data may be reproduced, or transmitted to others, in any form or by any means, without the written permission of the CITY OF GREATER SUDBURY.



DIMENSIONS FOR PAYMENT OF ROCK EXCAVATION IN TRENCHES FOR SEWERS, WATERMAINS & LATERAL SERVICES

DRAWN BY: STS/FRANK	REV No:
DATE: 2003-03-03	REV DATE:
SCALE: NTS	CAD/FILE No.:
APP'D:	A1976-1 (1 OF 1)
	GSSD-1225.010