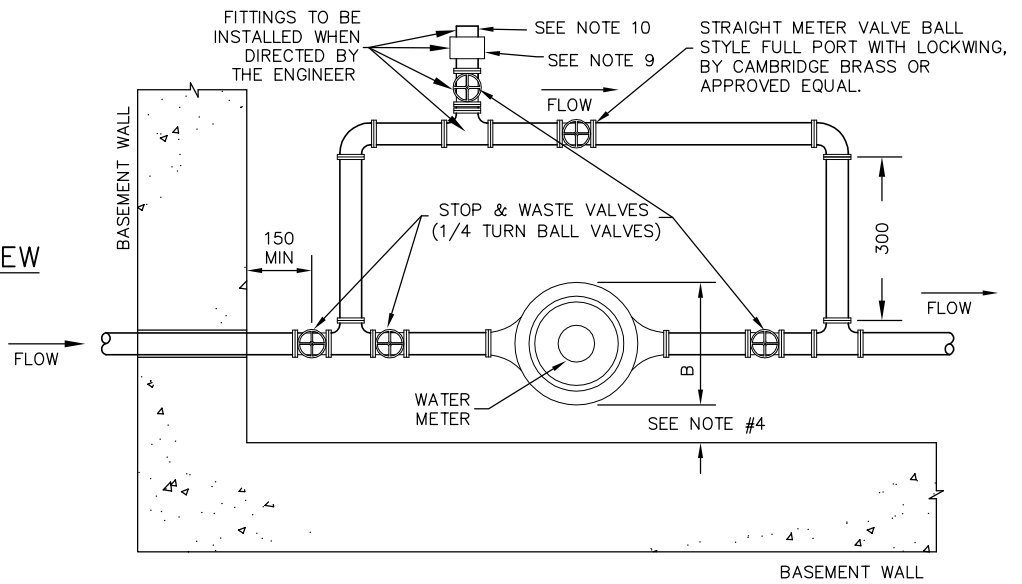
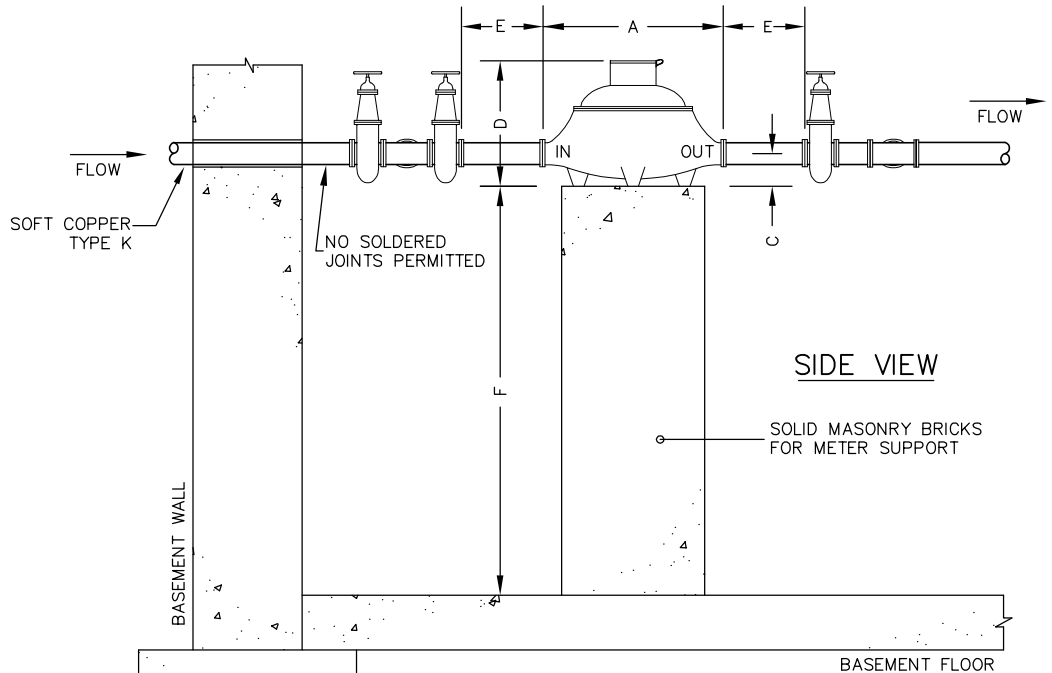


TOP VIEW



DIMENSIONS	METER SIZE	
	40	50
A	330	430
B	255	310
C	60	85
D	230	255
E	150	150
F	750	750
ENDS	FLANGED END	FLANGED END



NOTES:

1. THE DIAMETER OF THE BY-PASS LINE SHALL BE OF THE SAME SIZE AS THE SERVICE LINE ON THE PRESSURE SIDE OF THE WATER METER AS IT IS USED TO GIVE ADEQUATE AND UNINTERRUPTED SERVICE ONLY DURING TEST OR REPAIR OF THE METER.
2. IF THE BY-PASS IS TO BE INSTALLED ABOVE THE METER, THE MINIMUM CLEARANCE REQUIRED FROM THE TOP OF THE METER TO THE BOTTOM OF THE BY-PASS IS 800 mm.
3. REQUEST DELIVERY OF THE NEPTUNE METER FOR THE SAME TIME THE PIPING IS TO BE INSTALLED.
4. MINIMUM CLEARANCE FROM WALL IS 300 mm.
5. NO SOLDERED JOINT IS PERMITTED ON THE STREET SIDE OF THE MAIN SHUT-OFF.
6. CONTRACTOR SHALL HAVE METER INSTALLED BY A LICENSED PLUMBER.
7. OPERATIONS METER SHOP IS TO BE CONTACTED FOR FINAL INSPECTION ONCE INSTALLATION IS COMPLETE.
8. BY-PASS VALVE TO BE TAGGED AND SEALED FOLLOWING FINAL INSPECTION.
9. 40 OR 50 mm N.P.T. MALE x 63.5 mm C.S.A. FEMALE (BRASS ONLY) SWIVEL SUITED FOR STANDARD 63.5 mm MALE END PUMPER HOSE CONNECTION.
10. 63.5 mm BRASS PLUG.
11. ALL DIMENSIONS ARE IN MILLIMETRES UNLESS OTHERWISE SHOWN.



DETAIL OF 40 OR 50 mm
WATER METER
INSTALLATION

DRAWN BY: LRC/STS/RF	REV No: 1
DATE: 2003-03-03	REV DATE: 2012-02-01
SCALE: NTS	CAD/FILE No.: A1981-1 (1 OF 1)
APP'D:	GSSD-1107.010

DISCLAIMER OF WARRANTY : The data is provided "as-is", without warranty of any kind either expressed or implied. Any and all liabilities for damage, direct or indirect, however caused, and resulting in any way by use of the supplied data is the full and final responsibility of the user.

COPYRIGHT : All rights are reserved. No part of the supplied data may be reproduced, or transmitted to others, in any form or by any means, without the prior written permission of the CITY OF GREATER SUDBURY.