

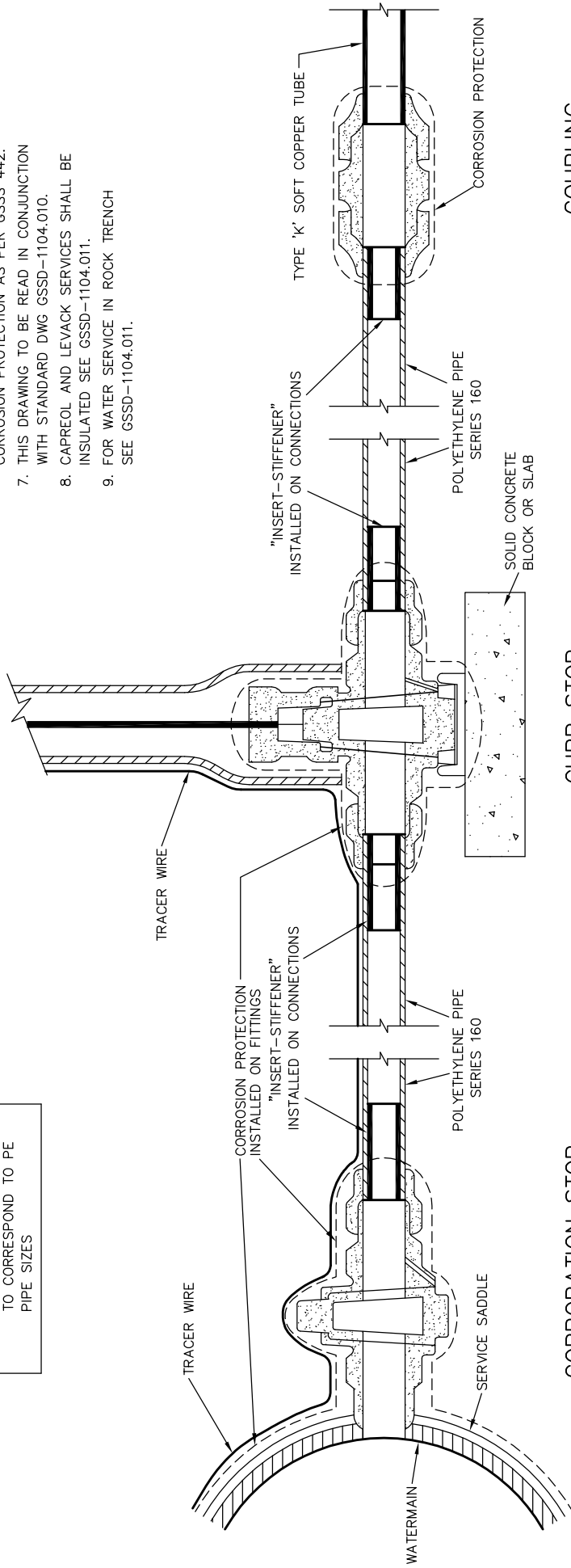
ALLOWABLE SIZE FOR PE PIPE	
COPPER SIZE	POLYETHYLENE (PE) I.D.
20 mm	25 mm
25 mm	40 mm
40 mm	50 mm
50 mm	41 mm
50 mm	41 mm

NOTE: SIZES OF STOPS (CURB &/OR CORPORATION) & FITTINGS TO BE INCREASED TO CORRESPOND TO PE PIPE SIZES

NOTES:

- THIS STANDARD TO BE READ IN CONJUNCTION WITH GSSS 441.
- "INSERT-STIFFENERS" TO BE USED INSIDE POLYETHYLENE (PE) PIPE FOR WATER SERVICES.
- "INSERT-STIFFENERS" TO BE MADE OF STAINLESS STEEL
- "INSERT-STIFFENERS" TO BE USED AT ALL CORPORATION STOPS, CURB STOPS, COUPLINGS AND ADAPTERS.
- ALL CONNECTIONS TO BE MADE WITH COMPRESSION FITTINGS.
- ALL METALLIC COMPONENTS SHALL HAVE CORROSION PROTECTION AS PER GSSS 442.
- THIS DRAWING TO BE READ IN CONJUNCTION WITH STANDARD DWG GSSD-1104.010.
- CAPREOL AND LEVACK SERVICES SHALL BE INSULATED SEE GSSD-1104.011.
- FOR WATER SERVICE IN ROCK TRENCH SEE GSSD-1104.011.

SERVICE BOX



DISCLAIMER OF WARRANTY
 The data is provided "as-is", without warranty of any kind either expressed or implied. Any and all liabilities for damage, direct or indirect, however caused, and resulting in any way by use of the supplied data is the full and final responsibility of the user.

COPYRIGHT
 All rights are reserved. No part of the supplied data may be reproduced, or transmitted to others, in any form or by any means, without the written permission of the CITY OF GREATER SUDBURY.



POLYETHYLENE WATER SERVICE CONNECTION DETAIL FOR 25 mm TO 50 mm DIAMETER SIZES

DRAWN BY: RF/SAG/KLR	REV No: 5
DATE: 2003-03-03	REV DATE: 2019-02-25
SCALE: NTS	CAD/FILE No.: A1970-1 (1 OF 1)
APP'D: M. FRAYNE	GSSD-1104.020