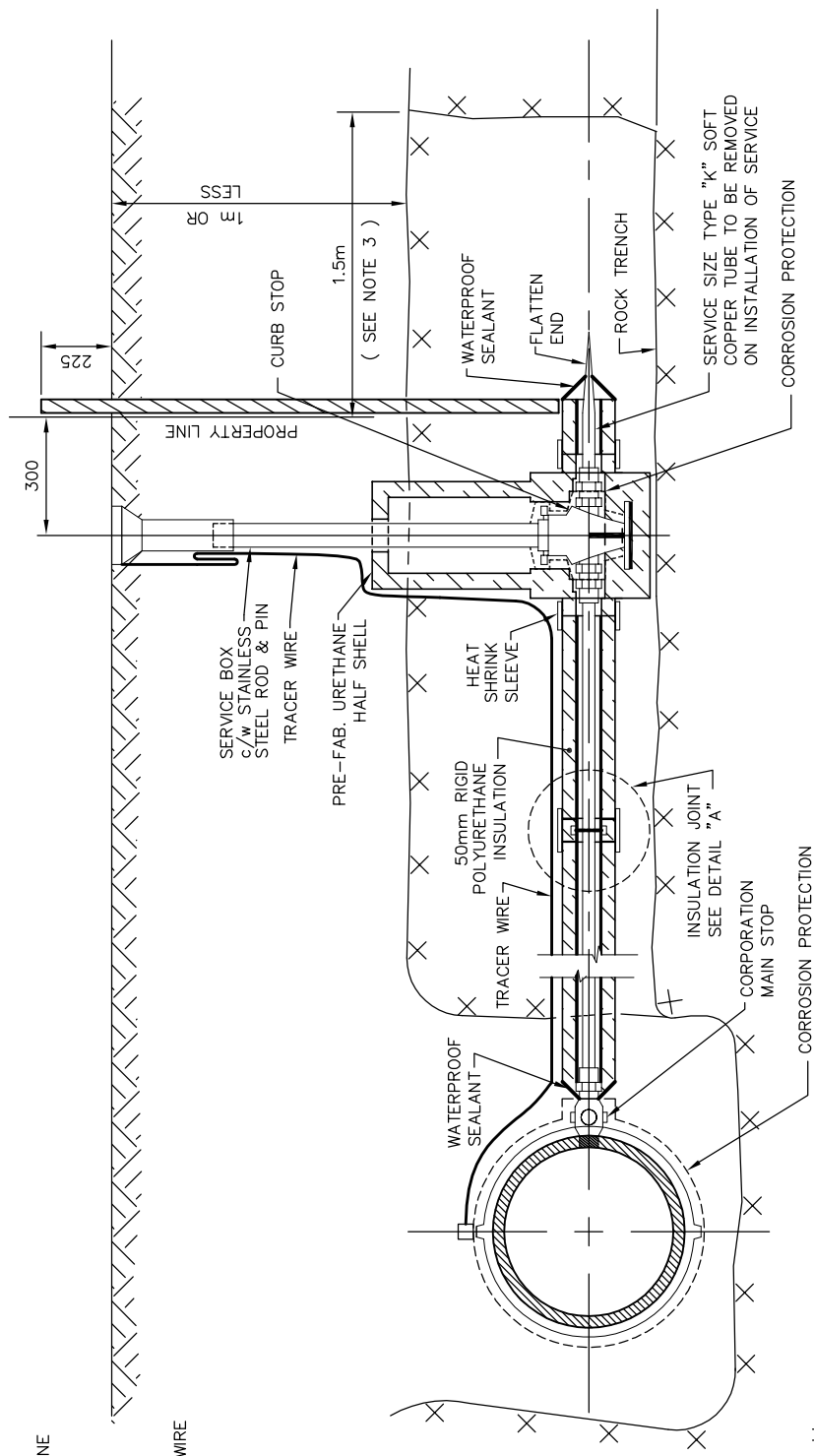


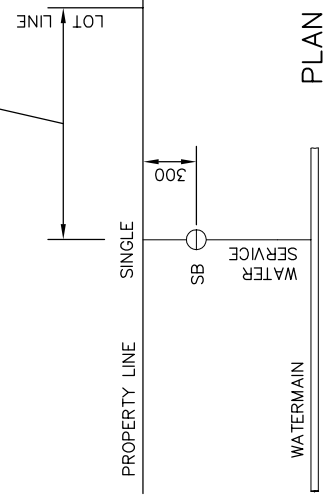
DETAIL "A"
INSULATION JOINT



NOTE

1. THIS STANDARD TO BE READ IN CONJUNCTION WITH GSSD 441 & GSSD-1104.010.
2. FOR POLYETHYLENE SERVICE PIPE REFER TO GSSD-1104.020.
3. ROCK SHALL BE BLASTED AND REMOVED TO 1.5 m BEYOND PROPERTY LINE.
4. DOUBLE SERVICES ARE NOT PERMITTED WITHOUT WRITTEN APPROVAL OF THE CITY ENGINEER
5. ALL DIMENSIONS ARE IN MILLIMETRES UNLESS OTHERWISE SHOWN.
6. THIS DRAWING TO BE USED IN CONJUNCTION WITH GSSD-1104.010.
7. TRACER WIRE AS PER GSSD-1110.000.
8. CORROSION PROTECTION AS PER GSSD 442

R1 LOTS - 5m FROM CORNER OF LOT
R2 LOTS - 2m FROM COMMON LOT LINE



PLAN DETAIL

DISCLAIMER OF WARRANTY
The data is provided "as-is", without warranty of any kind either expressed or implied. Any and all liabilities for damage, direct or indirect, however caused, and resulting in any way by use of the supplied data is the full and final responsibility of the user.
COPYRIGHT
All rights are reserved. No part of the supplied data may be reproduced, or transmitted to others, in any form or by any means, without the written permission of the CITY OF GREATER SUDBURY.



**INSULATED DUCT FOR
WATER SERVICE CONNECTION**
20 mm TO 50 mm DIA SIZES

DRAWN BY: BK/SAG/KLR	REV No: 6
DATE: 2003-03-03	REV DATE: 2019-02-25
SCALE: NTS	CAD/FILE No.: A1969-1 (1 OF 1)
APP'D: M. FRAYNE	GSSD-1104.011