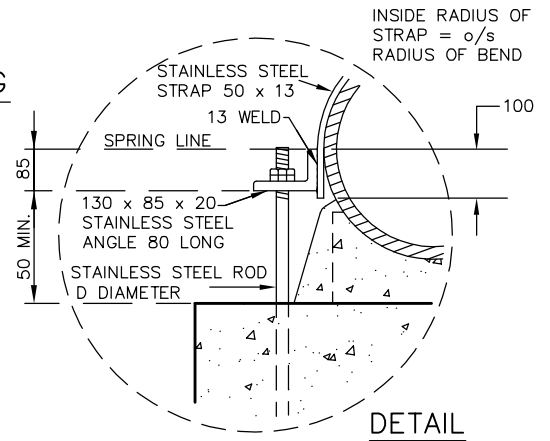


NOTES:

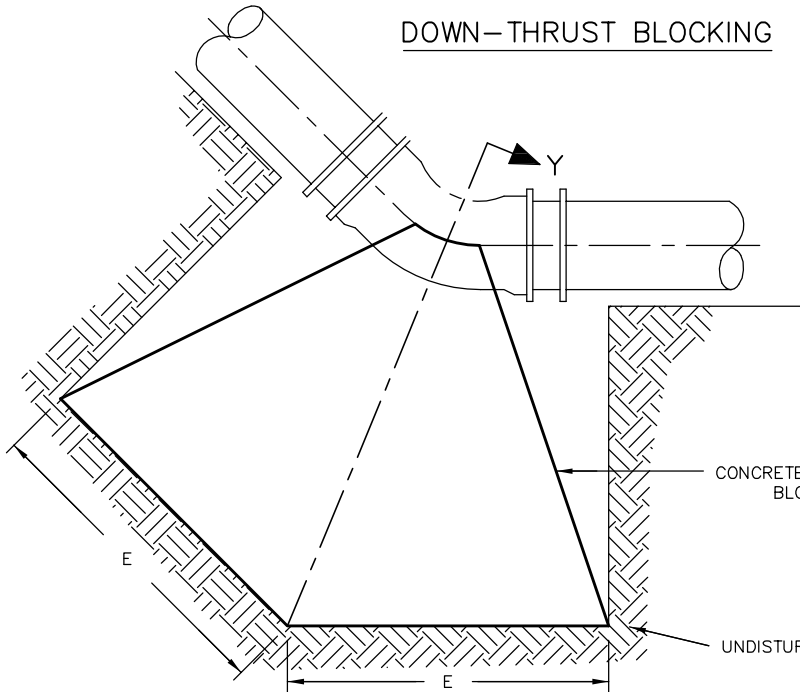
1. ALL CONCRETE THRUST BLOCKS TO BE POURED AGAINST UNDISTURBED GROUND.
2. CLEARANCE OF 80 mm TO BE MAINTAINED FROM FACE OF BELL TO CONCRETE.
3. POLYETHYLENE BOND BREAKER TO BE USED BETWEEN CONCRETE AND FITTINGS.
4. THIS BLOCKING DESIGN APPLIES ONLY WHERE 1100 kPa PRESSURE IS NOT EXCEEDED.
5. THIS BLOCKING IS FOR BENDS UP TO 45° ONLY.
6. THIS BLOCKING DESIGN APPLIES WHERE THE SOIL HAS A MINIMUM SOIL BEARING CAPACITY OF 50 kPa.
7. ALL DIMENSIONS ARE IN MILLIMETRES UNLESS OTHERWISE SHOWN.
8. CLASS OF CONCRETE: 32 MPa AT 28 DAYS.
9. PRIOR TO POURING OF CONCRETE, ALL METALLIC FITTINGS SHALL HAVE CORROSION PROTECTION

UP-THRUST BLOCKING



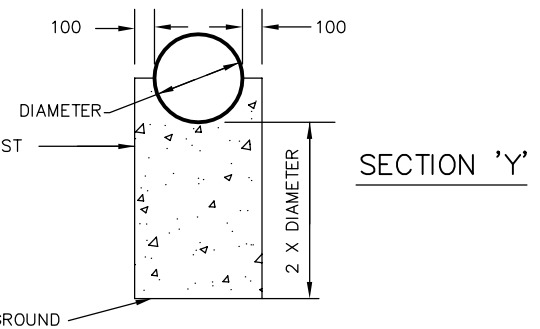
DETAIL

DOWN-THRUST BLOCKING



MINIMUM DIMENSIONS					
PIPE SIZE (mm)	A (mm)	B (mm)	C (mm)	D (mm)	E (mm)
400	1300	1200	1650	25	1650
450	1500	1200	1650	25	2050
500	1500	1500	1650	25	2100
600	2000	1650	1650	2-25*	3000

*USE DOUBLE WIDTH STRAPS (100 mm x 13 mm)



SECTION 'Y'



CONCRETE THRUST BLOCKS FOR VERTICAL BENDS

DRAWN BY: STS/RFRANK	REV No: 2
DATE: 2003-03-03	REV DATE: JAN/2013
SCALE: NTS	CAD/FILE No.: A1967-1 (1 OF 1)
APP'D:	GSSD-1103.020

DISCLAIMER OF WARRANTY : The data is provided "as-is", without warranty of any kind either expressed or implied. Any and all liabilities for damage, direct or indirect, however caused, and resulting in any way by use of the supplied data is the full and final responsibility of the user.

COPYRIGHT : All rights are reserved. No part of the supplied data may be reproduced, or transmitted to others, in any form or by any means, without the prior written permission of the CITY OF GREATER SUDBURY.