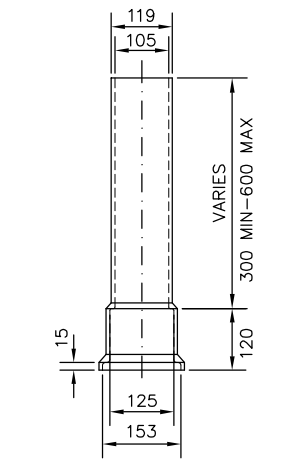
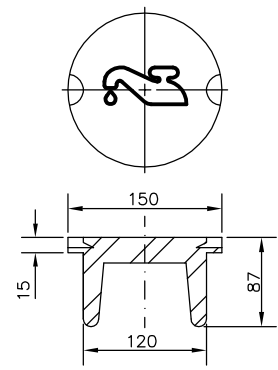


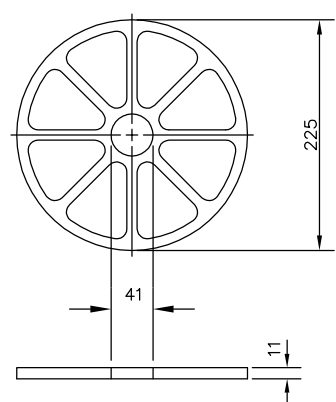
VALVE BOX SECTION



CENTRE EXTENSION



COVER



GUIDE PLATE

COMPLETELY ENCASE THE VALVE AND THE BELL SECTION OF THE VALVE BOX WITH FILTER CLOTH TO PREVENT THE INFILTRATION OF GRANULAR MATERIAL FROM OBSTRUCTING THE VALVE OPERATION. THE FILTER CLOTH SHOULD BE SECURELY TIED OFF ABOVE THE BELL SECTION OF THE VALVE BOX.

NOTE:

1. ALL DIMENSIONS ARE IN MILLIMETRES UNLESS OTHERWISE INDICATED.
2. BEDDING DETAILS AS PER GSSD-1227.010
3. METALLIC FITTING & VALVE SHALL HAVE CORROSION PROTECTION.



SLIDING VALVE BOX

DRAWN BY: ROH/STS/RF	REV No: 1
DATE: 2003-03-03	REV DATE: MAY/08
SCALE: NTS	CAD/FILE No.: A1965-1 (1 OF 1)
APP'D:	GSSD-1101.020

DISCLAIMER OF WARRANTY : The data is provided "as-is", without warranty of any kind either expressed or implied. Any and all liabilities for damage, direct or indirect, however caused, and resulting in any way by use of the supplied data is the full and final responsibility of the user.

COPYRIGHT : All rights are reserved. No part of the supplied data may be reproduced, or transmitted to others, in any form or by any means, without the prior written permission of the CITY OF GREATER SUDBURY.