

LONGITUDINAL SECTION

ITEM LEGEND

- ① 300 mm ϕ PVC WATERMAIN
- ② 300 mm ϕ CAST IRON MECHANICAL JOINT SOLID SLEEVE
- ③ 300 mm ϕ CLASS 52 DUCTILE IRON CEMENT LINED PIPE (FLANGE X FLAIN), C/W FACTORY INSTALLED WALL FLANGE (SEE ITEM #4).
- ④ 100 mm X 10 mm THICK WALL FLANGE CONTINUOUS FILLET WELD ALL AROUND PIPE (SEE DETAIL THIS PAGE)
- ⑤ 300 mm DIA TRANSITION SPOOL PIECE
- ⑥ BUTT FUSE FLANGE ADAPTER C/W ITEM #7.
- ⑦ SLIP METAL FLANGE.
- ⑧ 400 mm ϕ PE DR11 WATERMAIN

ITEM ⑤ TRANSITION SPOOL PIECE

CONTRACTOR SHALL ENSURE THAT THE TRANSITION SPOOL FLANGES ARE MANUFACTURED TO MATCH THE FLANGED BOLT CIRCLE PATTERN FOR DI AND PE PIPES.

NOTES:

- 1. PIPE SHALL BE 300 mm DIA., MINIMUM STANDARD WEIGHT STEEL.
- 2. FLANGES SHALL BE 30 mm THICK STEEL WELDED TO PIPE ALL AROUND.
- 3. FLANGES SHALL CONFORM TO AWWA C110/A21.10
- 4. AFTER CASTING IN CONCRETE, ALL METALLIC FITTINGS & METALLIC PIPE SHALL HAVE CORROSION PROTECTION.
- 5. ALL DIMENSIONS ARE IN MILLIMETRES UNLESS OTHERWISE SHOWN.

DISCLAIMER OF WARRANTY

The data is provided "as-is", without warranty of any kind either expressed or implied. Any and all liabilities for damage, direct or indirect, however caused, and resulting in any way by use of the supplied data is the full and final responsibility of the user.

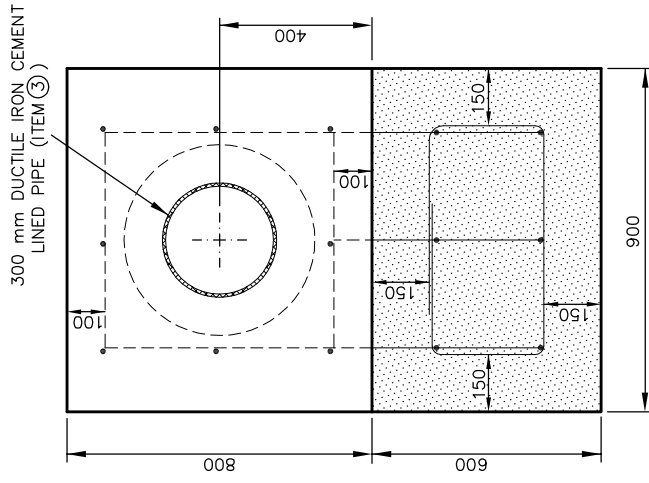
COPYRIGHT

All rights are reserved. No part of the supplied data may be reproduced, or transmitted to others, in any form or by any means, without the written permission of the CITY OF GREATER SUDBURY.



PVC TO PE PIPE TRANSITION & CONCRETE ANCHOR BLOCK

300 PVC TO 400 PE



SECTION A-A

NOTE:

- ANCHOR BLOCKS TO BE POURED AGAINST UNDISTURBED GROUND
- ALL REINF BARS TO BE SIZE 15M AT 300 mm CC
- CONCRETE STRENGTH TO BE 32 MPa AT 28 DAYS

DRAWN BY: STS/R.FRANK	REV No: 2
DATE: 2003-03-03	REV DATE: JAN/2013
SCALE: NTS	CAD/FILE No: A1916-1 (1 OF 1)
APP'D:	GSSD-1100.041