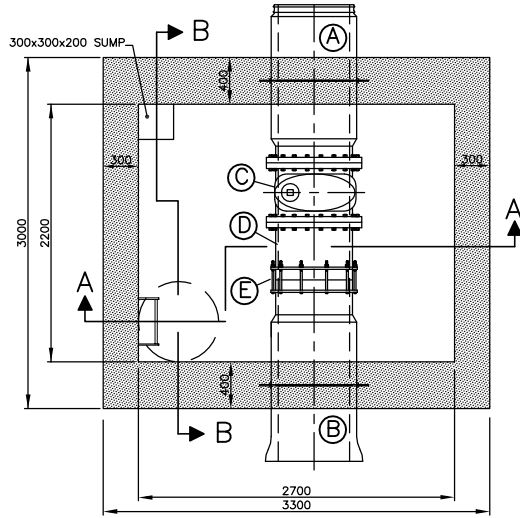


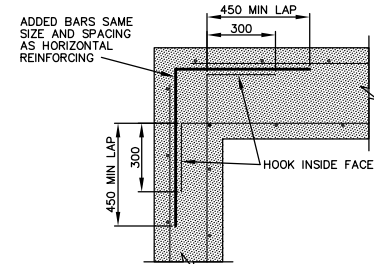
**CONSTRUCTION NOTES:**

- REINFORCING STEEL TO HAVE MINIMUM 50 mm CLEAR COVER.
- CLASS OF CONCRETE TO BE 32 MPa (AIR ENTRAINED) AT 28 DAYS.
- IN OFF ROAD AREAS, ORIGINAL GROUND IMMEDIATELY ABOUT CHAMBER SHALL BE SLOPED TO DIRECT SURFACE RUNOFF AWAY FROM STRUCTURE ACCESS.
- ADJUSTMENT UNITS TO BE PARGED ON THE OUTSIDE WITH 1:3 NON-SHRINK MORTAR MIX APPLIED 15 mm THICK.
- REINFORCING STEEL FOR REMOVEABLE TOP SLAB:
  - TOP BARS TO BE SIZE 15M AT 300 mm c/c BOTHWAYS.
  - BOTTOM BARS TO BE SIZE 15M AT 150 mm c/c BOTHWAYS.
- REINFORCING STEEL FOR WALLS AND BASE SLAB:
  - ALL BARS TO BE SIZE 15M AT 300 mm c/c BOTHWAYS.
- FOUR LIFTING RINGS TO BE INSTALLED IN ROOF SLAB IN POSITIONS AS TO PROVIDE A BALANCED REMOVAL OF SLAB SHOULD IT BE NECESSARY.
- THE WALL SECTION OF THE VALVE CHAMBER IS TO BE POURED DIRECTLY AROUND BOTH ITEMS A & B WHICH SHALL BE IN PLACE PRIOR TO ANY CONCRETE BEING POURED.
- PIECES 'A', 'B', AND 'D' SHALL BE CONCRETE PRESSURE PIPE TO AWWA C301 CLASS 18 HAVING AN EXTERIOR MORTAR COATING OF SULPHATE RESISTING CEMENT.
- ALL FLANGES ARE TO BE FACTORY WELDED TO AWWA C207 CLASS D.
- HEIGHT OF VALVE CHAMBER STRUCTURE AND DEPTH OF WATERMAIN WILL BE BASED ON AN OVERALL VALVE HEIGHT OF 2245mm FROM THE CENTRELINE OF THE WATERMAIN TO THE TOP OF THE VALVE OPERATING NUT, IF THE VALVE IS TALLER THE CONTRACTOR IS TO INCREASE THESE DIMENSIONS.
- AFTER CASTING IN CONCRETE, ALL METALLIC FITTINGS & METALLIC PIPE SHALL HAVE CORROSION PROTECTION.
- TRACER WIRE TO BE ATTACHED TO WALL AND BOTTOM OF DECK USING APPROVED CABLE STRAPS AT 600 mm SPACING.
- TRACER WIRE CONTINUES THROUGH CONCRETE AWLL THROUGH 6 mm Ø DRILL HOLE. HOLE TO BE SEALED WITH EXTERIOR SILICONE CALKING BOTH SIDES.
- ALL DIMENSIONS ARE IN MILLIMETRES UNLESS OTHERWISE SHOWN.

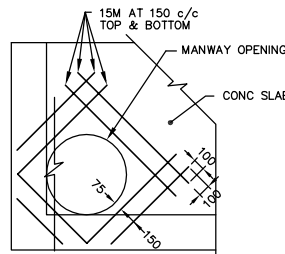
ITEM	DESCRIPTION (SEE SECTION B-B & NOTES)	ENDS	CORROSION PROTECTION
(A)	900 mm x 1400 mm CONC. PRESSURE PIPE C/W WALL FLANGE	SPIGOT & FLANGE END	FULL
(B)	900 mm x 1500 mm CONC. PRESSURE PIPE C/W WALL FLANGE	PLAIN STEEL END & BELL	FULL
(C)	900 mm GATE VALVE MEETING THE REQUIREMENTS OF AWWA C500	FLANGE & FLANGE	FULL
(D)	900 mm JOINT ADAPTER DISTANCE PIECE WITH INTERIOR CONCRETE CORE.	FLANGE & PLAIN	FULL
(E)	900 mm SMITH-BLAIR #411 STEEL COUPLING OR APPROVED EQUAL	---	FULL
(F)	50 mm CORPORATION MAIN STOPS AS PER GSSS 701	---	FULL



**PLAN VIEW**

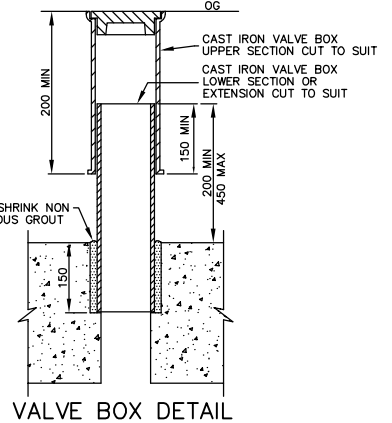


**PLAN VIEW  
LAPPING DETAIL AT CORNERS**

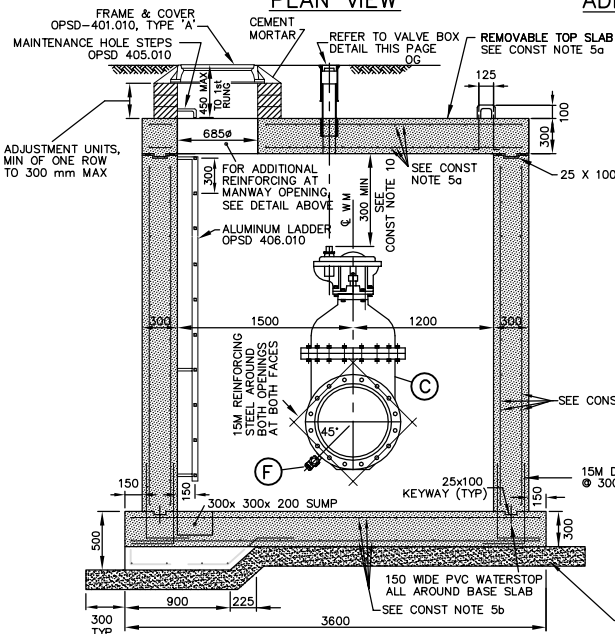


**MANWAY OPENING**

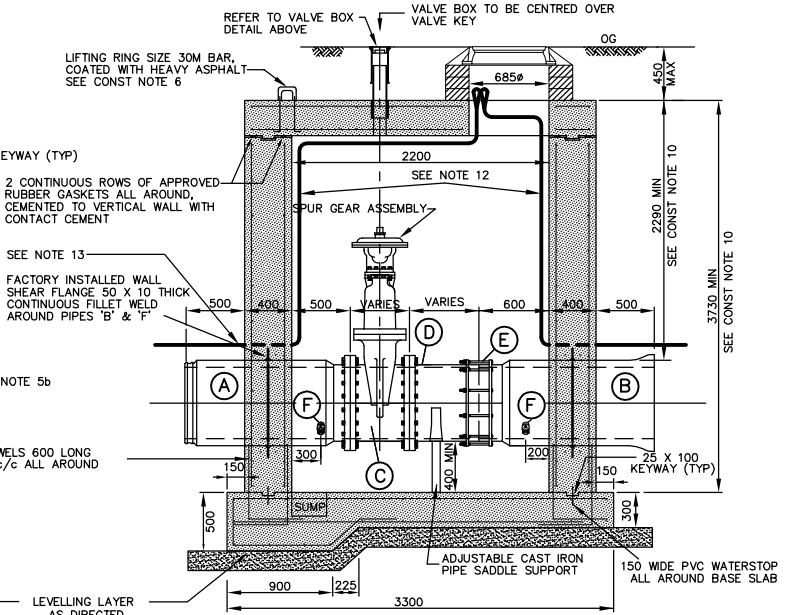
**ADDITIONAL REINFORCING STEEL**



**VALVE BOX DETAIL**



**SECTION A-A**



**SECTION B-B**



**CAST IN PLACE  
VALVE CHAMBER  
FOR 900 mmØ WATERMAIN  
WITH CONC PRESSURE PIPE**

DRAWN BY: WJK/STS/RF	REV No: 2
DATE: 2003-03-03	REV DATE: JAN/2013
SCALE: NTS	CAD/FILE No.: A2015-1 (1 OF 1)
APP'D:	<b>GSSD-1100.018</b>

DISCLAIMER OF WARRANTY : The data is provided "as-is", without warranty of any kind either expressed or implied. Any and all liabilities for damage, direct or indirect, however caused, and resulting in any way by use of the supplied data is the full and final responsibility of the user.

COPYRIGHT : All rights are reserved. No part of the supplied data may be reproduced, or transmitted to others, in any form or by any means, without the prior written permission of the CITY OF GREATER SUDBURY.